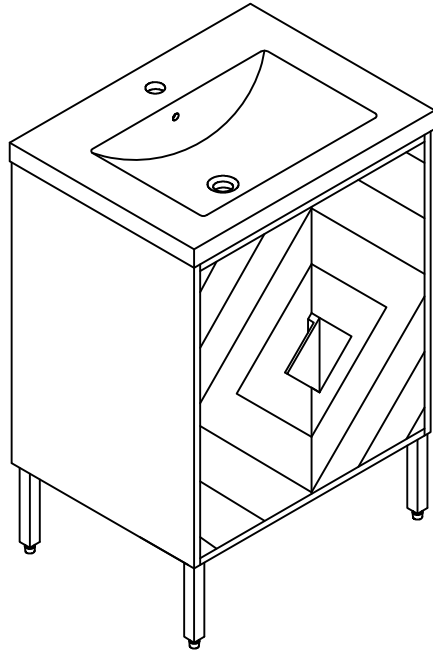


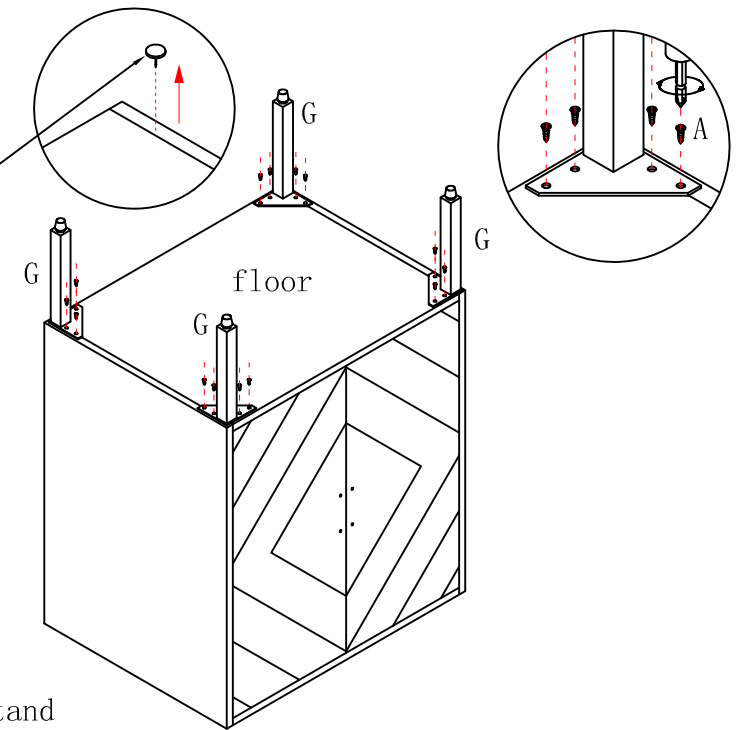
Assembly Instruction

Item No. : AC-6624/6630/6636



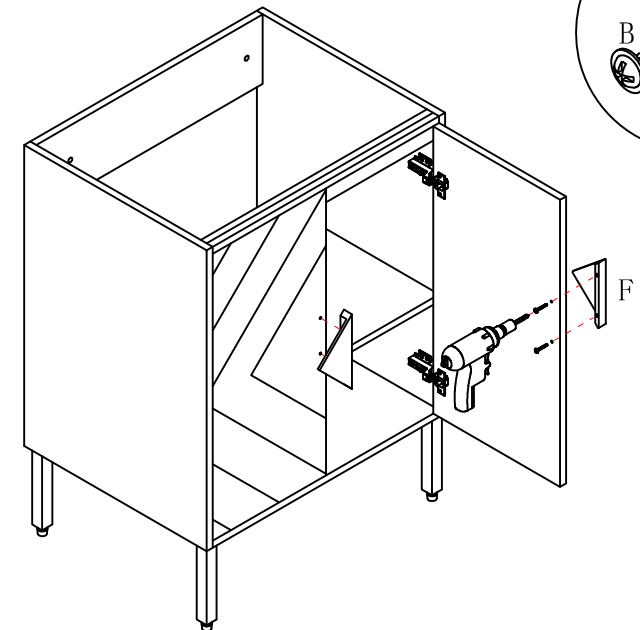
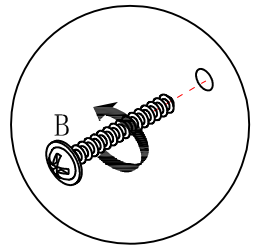
Step 1

Remove the pin before installing the metal frame





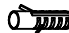





Cabinet handstand

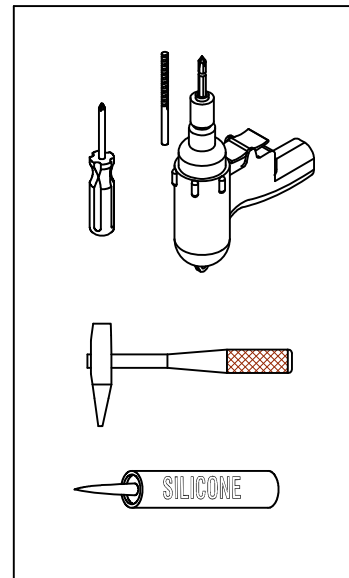
Step 2



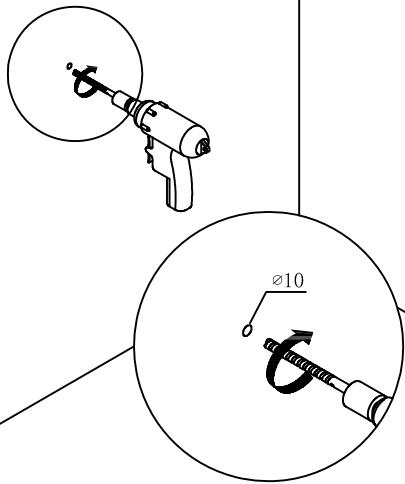
Hardware

NO.	Draw	QTY
A	 ($\phi 4 \times 14$)	16
B	 (M4*22mm)	4
C		2
D		2
E		2
F		2
G		4
H		4

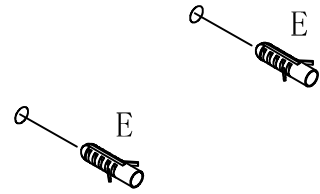
Tools



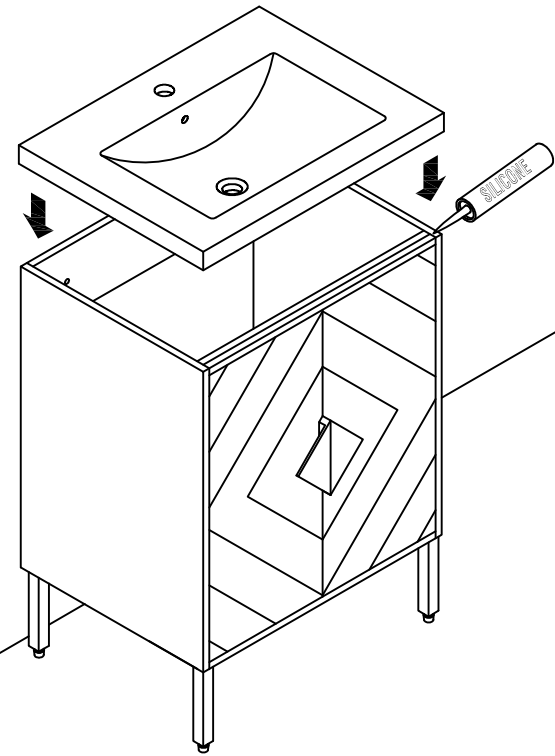
Step 3



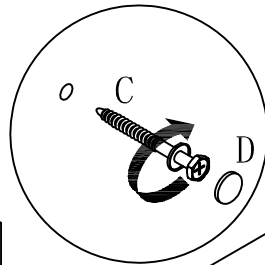
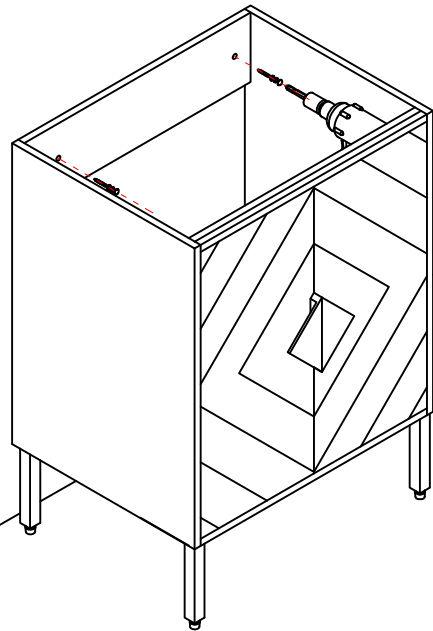
Step 4



Step 6



Step 5



Finished

